

TRIDENT 1.650 FILTER

Trident box filter for underground installation



PRODUCT DESCRIPTION

Trident filters are a highly efficient dynamic rainwater filter, ensuring that a maximum volume of water passes through the filter and into the tank. The filter acts as the first step in the rainwater treatment process and has the capability to reduce the overall lifetime cost of the entire rainwater harvesting system.

With a range of pre-tank filters and tank filters with skimmers, Trident filters are flexible to suit in almost any tank; improving tank life, reducing maintenance and capable of handling high volume harvesting needs.

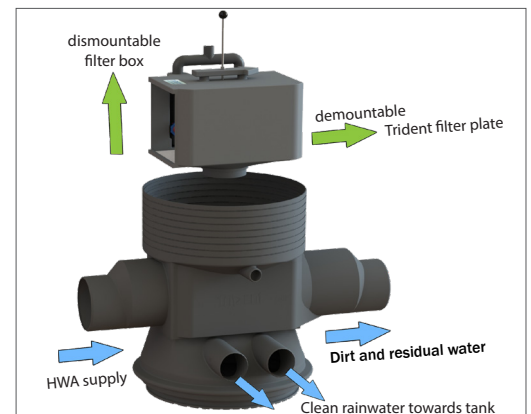
- +90% Efficiency 700µm
- Rapid separation of waste and clean water
- Dirt resistant and large effective filter grid
- Automatic cleaning reduces maintenance required
- Ideal for rainwater harvesting

APPLICATION AREA

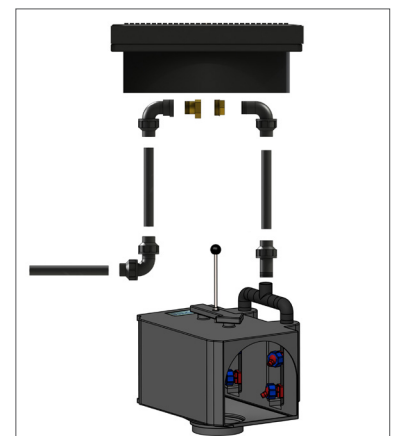
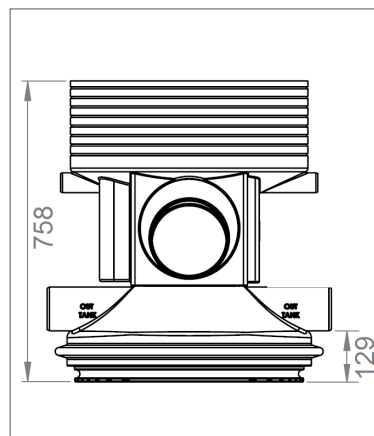
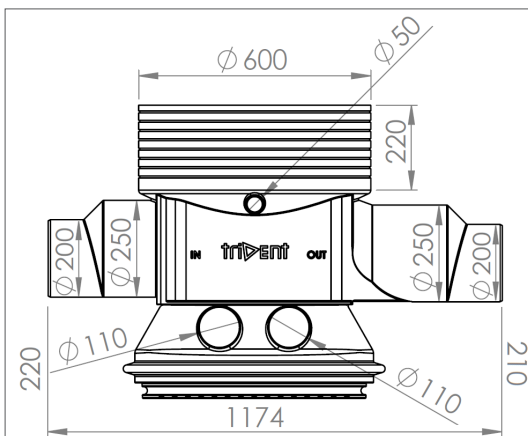
The Trident 1,650 rain water filters are intended to be placed in front of a tank or rain water borehole. The Trident rain water filters are suitable for filtering rain water from roofs of buildings with a roof surface up to 1,650 m² (based on 300 litres/sec/ha). The filter shall be placed in front of a rain borehole and is resistant to soil pressure (traffic class A). Between the supply of rain water and the discharge of the filtered rain water, there is a decline of 12 cm. With the optional decline reductive part this is reduced to 6 cm.

TECHNICAL DATA

Height in mm:	758
Width in mm:	1174
Length in mm:	760
Imports in mm:	200/250
Waste dirt in mm:	200/250
Height difference of the supply in mm:	12
Drain clean in mm:	2 x 110
Sleeve pipe in mm:	2 x 50
Weight in kg:	ca. 16
Material housing:	PE
Material filter grid:	RVS
Connection filter cleaner (optional):	1"



TECHNICAL DRAWING



OPTIONS

Trident 1.650 filter cleaner connectionset

The filter cleaner connectionset consist of a PE mountingset for the connection between filter box and the filter shaft. The box remains removable.

Automatic time-controlled filter cleaner 1/2 "

Time-controlled filter cleaner makes automatic filter cleaning possible. The nozzle sprays the filter surface at freely adjustable times clean.

Varitank inner shaft 60 cm

The shaft with seal ring can be mounted on the filter shaft. The shaft can be easily shortened. In this way every Varitank cover can be made on the desired height, equated to the ground level.

Removal bracket for filter box

The removal bracket for the filter box is the solution if the filter is fitted far below ground level. Easy and fast removal of the filter box.

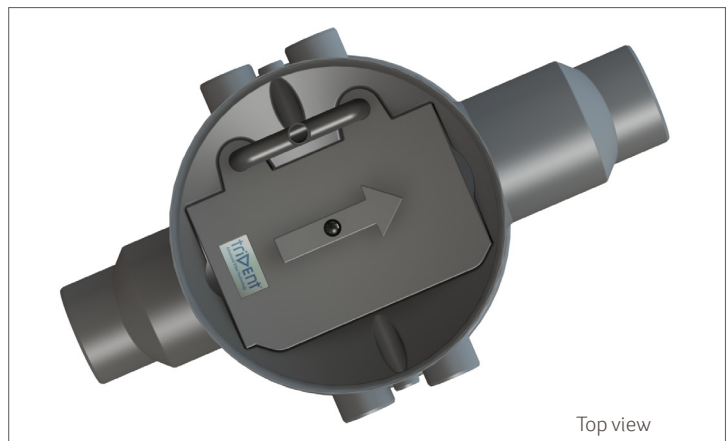
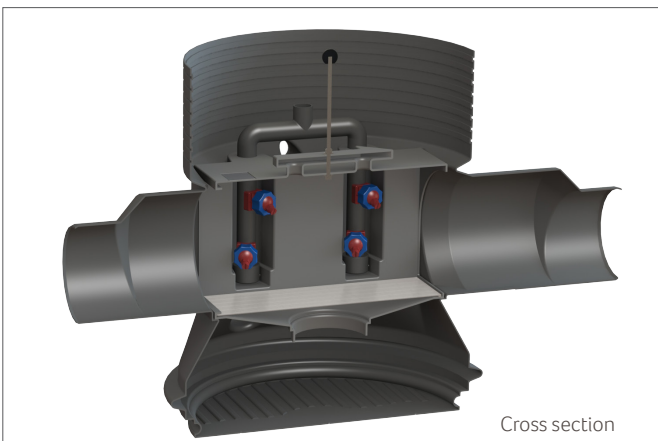
Decline reductive part DN 110

Decline reductive part reduces the height difference between supply and discharge filtered water from 12 cm to a mere 6 cm.

Varitank cover set

For every Varitank filter is a wide range of covers available in traffic class A, B en D. See the special Varitank cover pages to choose your suitable cover.

TECHNICAL OVERVIEW



DELIVERY

Product consist of: filter housing, filterbox, Trident filter grill, pre-mounted filter sprayers and installation instructions.

ORDER DETAILS

Art nr	NAME	PG
401212	Trident 1.650 filter with filter box	4
401213	Trident 1.650 nozzle connection set	4
401251	Automatic time-controlled filter cleaner 1"	4
403512	Varitank inner shaft 60 cm	3
401369	Removal bracket for filter box	2
401160	Expiration of reduction piece DN 110	2

Wide range of covers available, see Varitank covers from GEP.

